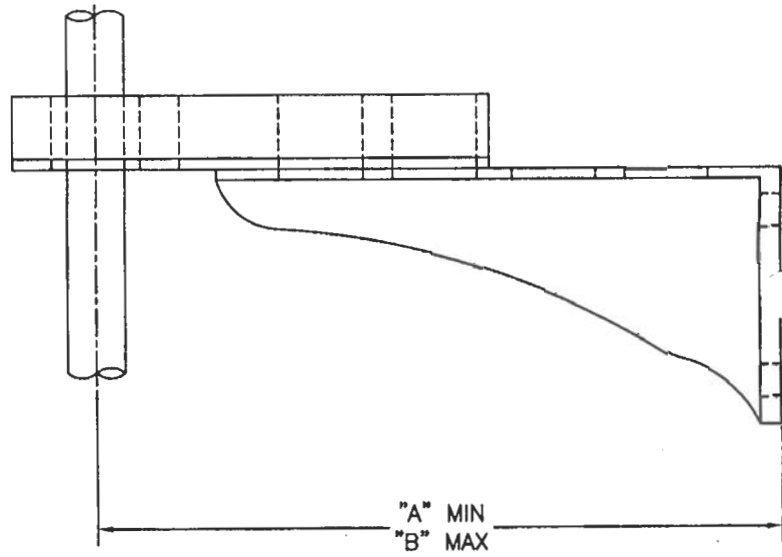
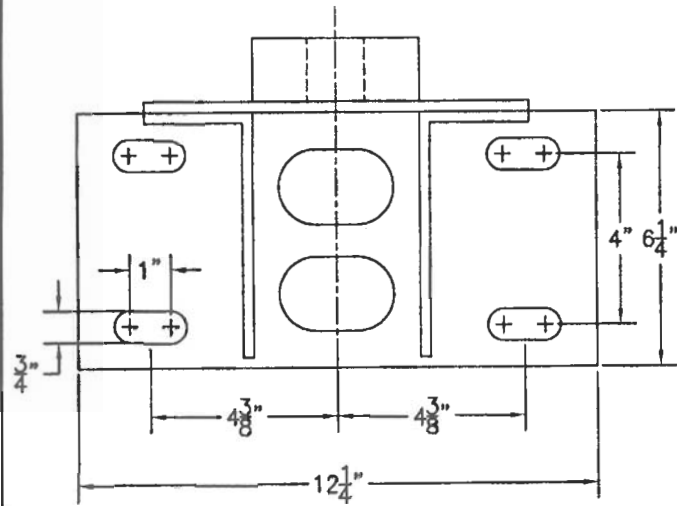


SIZE 3, 5, & 6 - STEM GUIDE  
 GENERAL DIMENSIONS

**CLOW VALVE COMPANY**

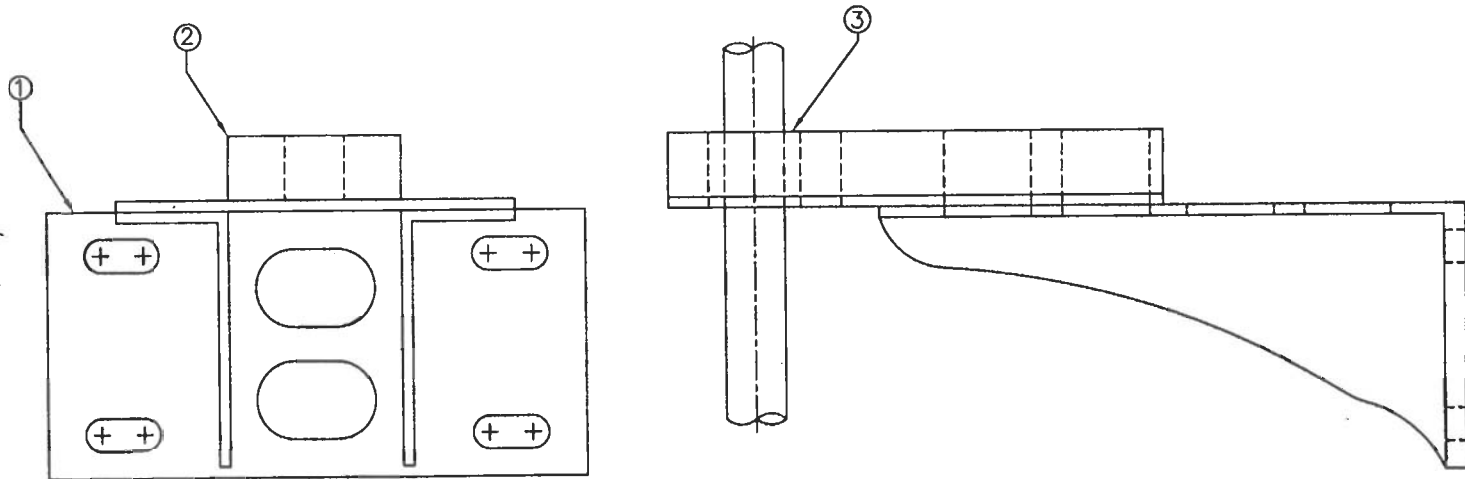


DIMENSIONS			
SIZE	3	5	6
A	2 1/2	15	24
B	17	24	35

### F-5660-T Stem Guides

Stem Guides are installed as wall brackets to support extension stems. They are fully adjustable and are made of high strength ductile iron. The guide is bronze bushed where the extension stem passes through. They should be installed at a height which does not permit the stem to be unsupported through a length of more than 10 feet.

Stem Guides are available in three sizes. When ordering state distance from center line of operating stem to face of wall, or give the size number as shown in table.



ITEM	DESCRIPTION	QTY.	MATERIAL
1	BRACKET	1	DUCTILE IRON 65.45.12 MIN.
2	GUIDE	1	DUCTILE IRON 65.45.12 MIN.
3	BUSHING	1	BRASS CDA 360
	ASSEMBLY BOLTS & NUTS	4 ea.	PLATED STEEL