

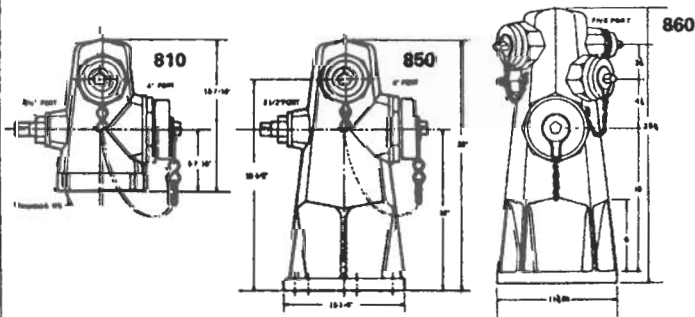
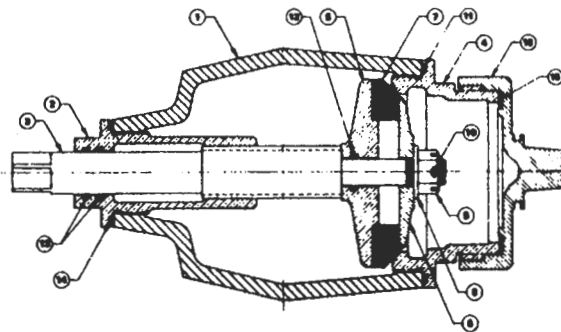
F800 SERIES FIRE HYDRANTS

CLOW VALVE COMPANY

Features:

- Meets or Exceeds AWWA C503
- High Strength Cast Iron Body
- Interior Ferrous Surfaces Epoxy Lined
- Improved Stem and Carrier Assembly
- Removable Bronze Outlets
- All Internal Working Parts Removable from Outlet Port
- Interchangeability of Steamer Connections
- Plastic Connections
- Low Cost
- Light Weight
- Streamlined Appearance

ITEM NO.	PART	PART NO.			MATERIAL
		2 1/2	4	4 1/2	
1	BODY	-----			CAST IRON
2	STEM SLEEVE	3427			BRONZE
3	STEM	3425	3426		BRONZE
4	OUTLET	3407	3412	3414	BRONZE
5	CARRIER	3409	3415		BRONZE
6	RETAINER	3411	3416		NDZ
7	VALVE RUBBER	11-351	11-349		C.I. RUBBER
8	WASHER	67-152			BRASS
9	SLOTTED NUT	7102			BRONZE
10	COTTER PIN	85-149			STAINLESS STEEL
11	O-RING (OUTLET)	14-207	14-209		BUNA-N
12	O-RING (CARRIER)	14-182			BUNA-N
13	O-RING (STEM)	14-187			BUNA-N
14	O-RING (STEM SLEEVE)	14-205			BUNA-N
15	PRO CAP GASKET	11-420	11-421	11-422	C.I. RUBBER
		12-430	12-431	12-432	
16	PRO CAP	-----			CAST IRON PLASTIC



MODEL	WEIGHT	OUTLETS
810	70	(1)-2-1/2" (1)-4"-4-1/2"
845	105	(2)-2-1/2"
850	115	(1)-2-1/2" (1)-4"-4-1/2"
860	135	(2)-2-1/2" (1)-4"-4-1/2"