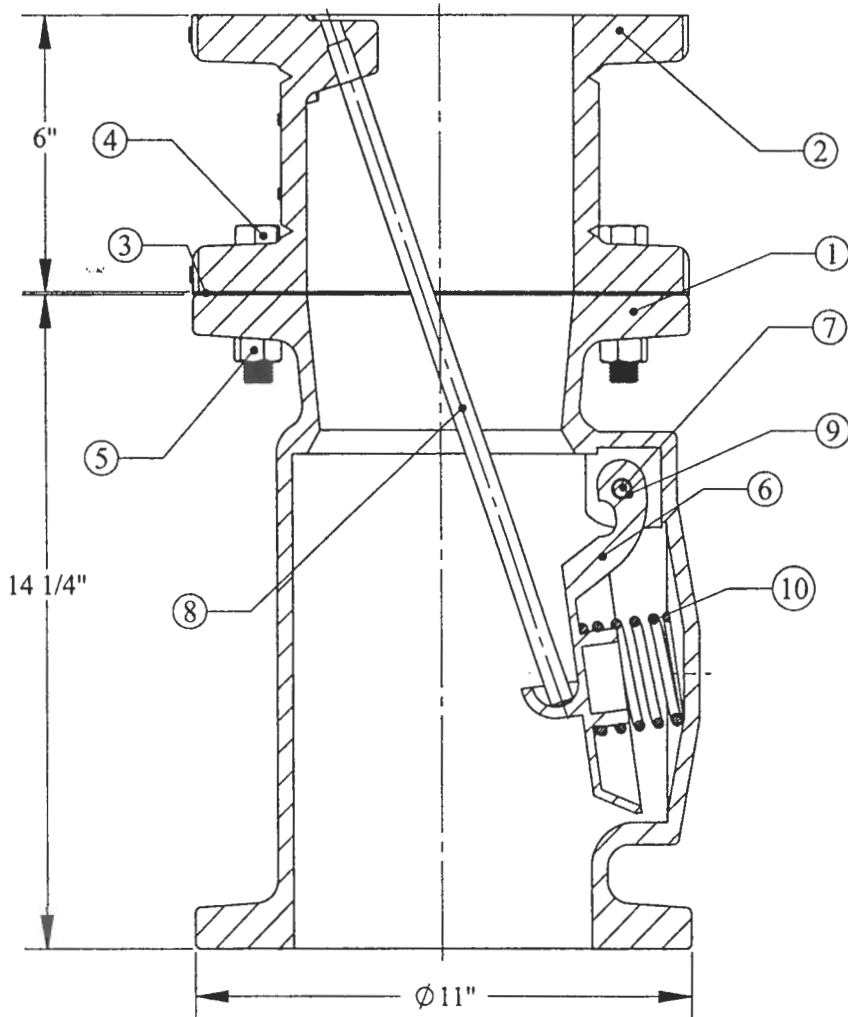


BREAK OFF CHECK VALVE  
MATERIAL LIST

**CLOW VALVE COMPANY**

MODEL LBI 400A



ITEM NO.	QTY.	MATERIAL	WEIGHT	DESCRIPTION
1	1	DI ASTM A536 65-45-12	64.092	Body
2	1	GI ASTM A 126B	44.964	Extension/Riser
3	1	CLOTH INSERTED RUBBER	0.135	Gasket
4	6	AISI 304 SS		5/8-11 X 3 Hex Head Bolt
5	6	AISI 304 SS		5/8" Hex Head Nut
6	1	BRASS ASTM B584 C836	3.836	Clapper
7	1	AISI 304 SS	0.128	Pin
8	1	AISI 304 SS	1.098	Breakoff Bar
9	2	AISI 304 SS		1/4 NPT Pipe Plug
10	1	AISI 316 SS	0.392	Spring